



# EA-193-40

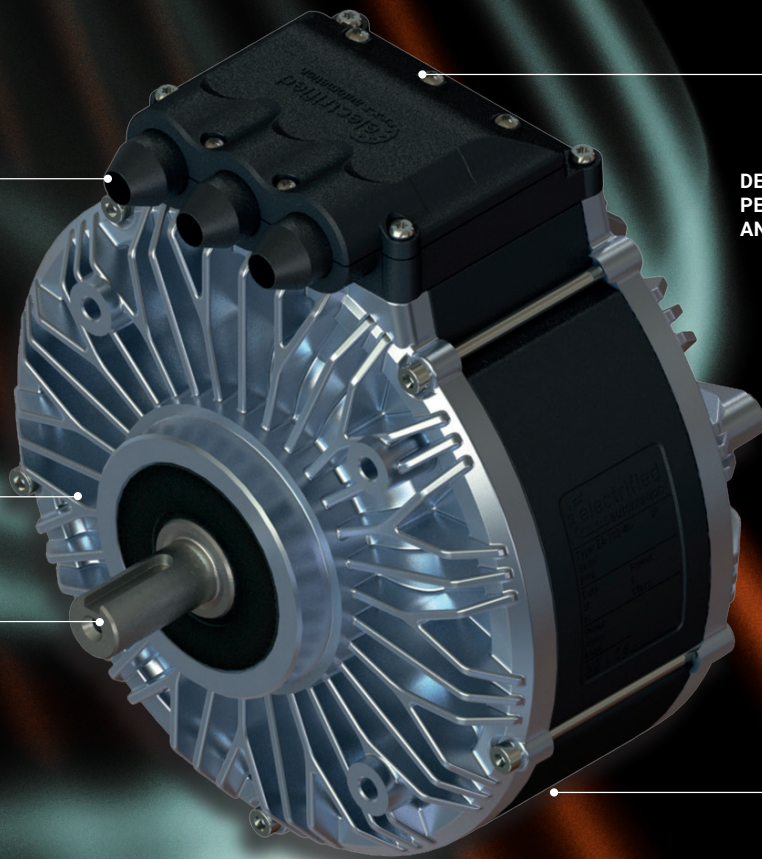
## LOW VOLTAGE IPM MOTOR



LIGHT AND COMPACT

THROUGH SHAFT  
CAPABILITY

OPTIMISED FOR REPEATABLE,  
SCALEABLE AUTOMATED  
MANUFACTURING



DELIVERS MAXIMUM  
PERFORMANCE, POWER  
AND EFFICIENCY

HIGH POWER  
DENSITY

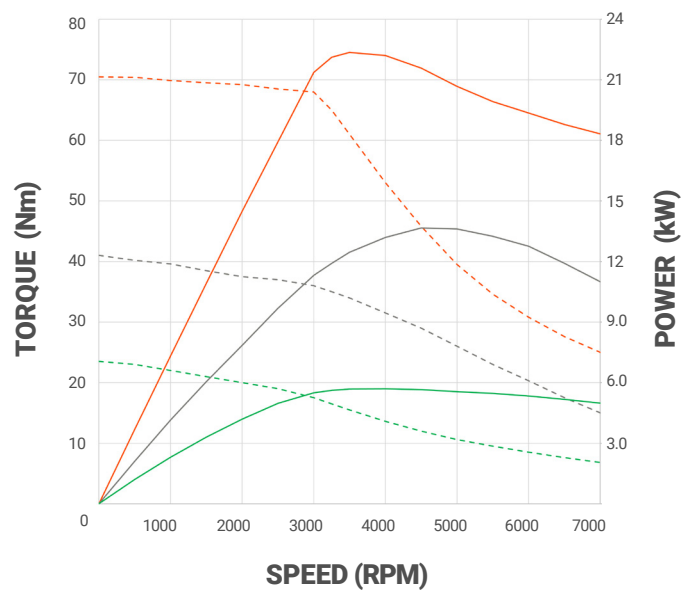
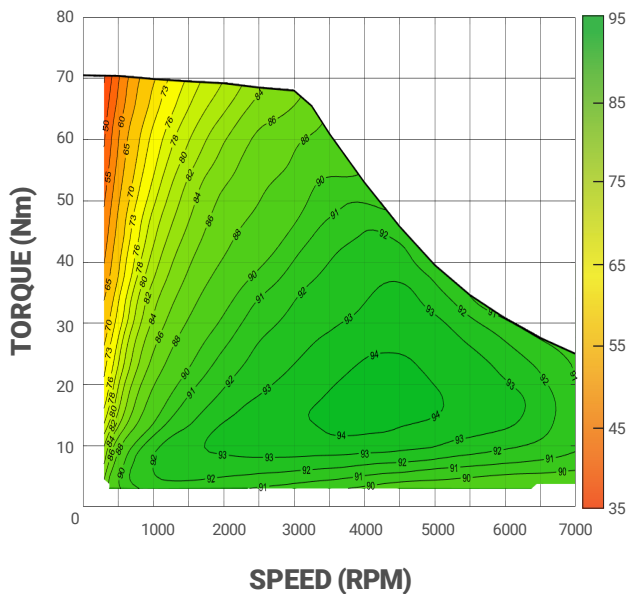
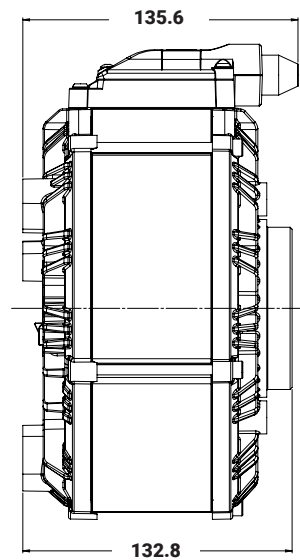
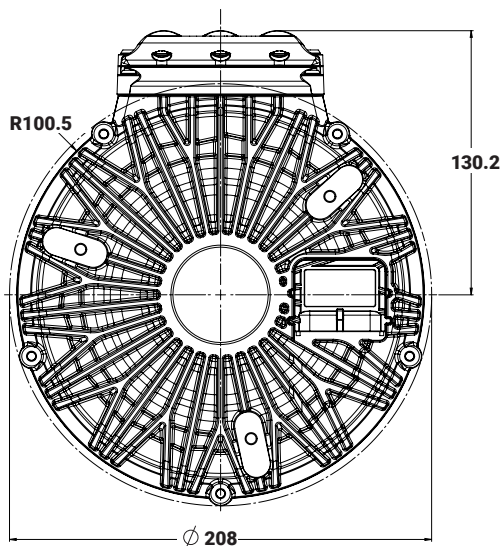
| 193-40-18A+ (80V) |

# 193-40-18A+ (80V)

## PRODUCT SPECIFICATION



NOMINAL VOLTAGE	PEAK TORQUE @550ARMS	PEAK POWER [S2-5]	RATED POWER [S2-60]	MAXIMUM SPEED	MOTOR WEIGHT
80V	70Nm	22.5kW	5.5kW	7000RPM	11.4kg



\*DATA RECORDED AT 25°C AMBIENT

--- TORQUE [S2-2]    --- TORQUE [S2-10]    --- TORQUE [S2-60]  
--- POWER [S2-2]    --- POWER [S2-10]    --- POWER [S2-60]